



HRC SERIES HW

Hydro-Rain's HRC series hardwire sensors are designed to save water and limit damage to foliage by turning off sprinkler systems in rain and freezing weather. HRC series sensor installation will prepare your landscape for the ever changing environmental conditions of your geographical domain. No other major brand in the industry makes the freeze feature standard on every rain sensor.

FEATURES AND BENEFITS

- **Adjustable moisture activation**— $\frac{1}{8}$ ", $\frac{1}{4}$ ", $\frac{1}{2}$ ", $\frac{3}{4}$ ", 1" rainfall settings for variable climates
- **Hygroscopic discs**—Absorb water to activate rain switch
- **Reliable freeze sensor**—Shuts off timer when temperature drops to 37°F, protecting vegetation from the effects of freezing water
- **Universal**—For use with most brands of 24 Volt output sprinkler timers
- **Quick rain gutter mount**—No tools required for mounting the sensor to a rain gutter
- **Heavy-duty jacketed wire**—30 feet of connection wire included and ready for installation
- **Conduit option**—Sensor can easily be mounted to $\frac{1}{2}$ " conduit (adapter included)
- **Dry vent**—Allows air to be circulated or dampened for fast or slow dry, effectively reducing time for the next watering cycle

BUILT FOR SPEED FEATURES

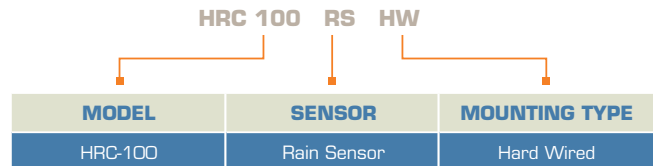
- **HRC-900-RS-MD**—Requires no wire splicing to the HRC-900 controller. Just plug and go...



MODELS

HRC-100-RS-HW	HRC 100 Rain/Freeze Sensor Hard Wired
HRC-900-RS-MD	HRC 900 Rain/Freeze Sensor Hard Wired (for use with the HRC 900 controller)

HOW TO SPECIFY





HRC SERIES HW

OPERATING SPECIFICATIONS

- Sensor type: industry-standard hygroscopic discs
- Rain sensitivity: adjustable nominal 1/8" to 1" (3-25mm)
- Freeze sensitivity: 37°F (2.7°C) +/- 3°F
- Operating temperature: 14°F to 140°F (-10°C to 60 °C)
- Housing material: UV-resistant engineered polymer

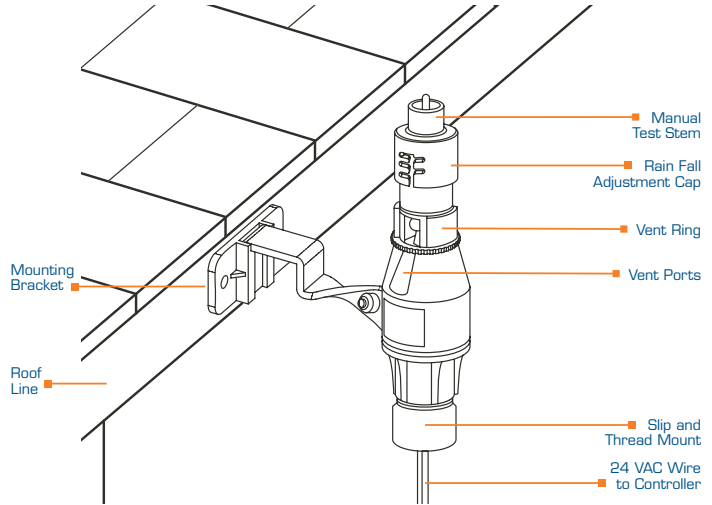
DIMENSIONS

- Height: 3 1/2" (7.62 cm)
- Length: 4 1/2" (11.2 cm)

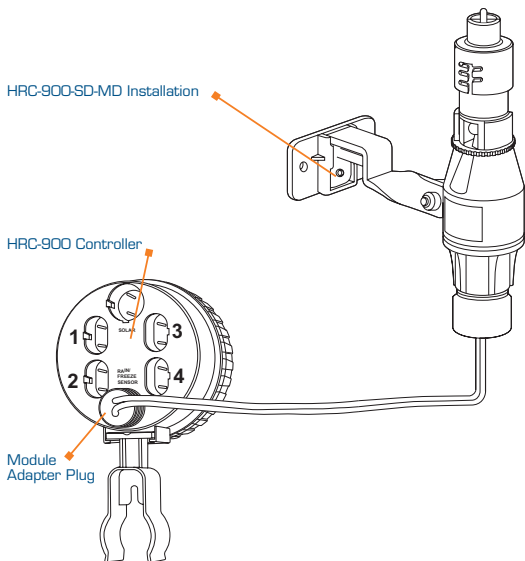
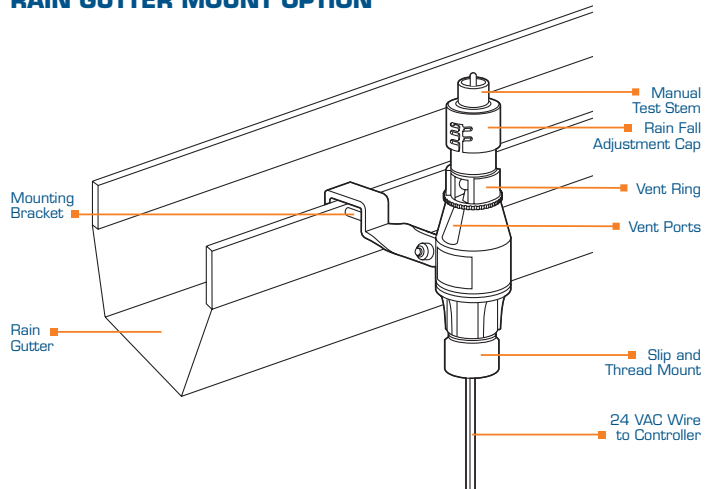
ELECTRICAL SPECIFICATION

- AC Supply: 24~26VAC
- Relay Contacts Output: Normal Open & Normal Close 3A@24VAC

INSTALLATION SPECIFICATION DETAIL FACIA MOUNTING OPTION



RAIN GUTTER MOUNT OPTION



04007-36 Rev A