



# VB 1220

Protection in even the most severe weather and soil conditions. Critical design elements include virgin material, high grade PE structural foam molding process, "T" top bolt-ready lids for maximum tamper proof protection. Discoloration UV preventative additives keep boxes looking great for years of extended use even in the harshest of environments. Box strength meets or exceeds industry standards (see load test on back).

### FEATURES AND BENEFITS

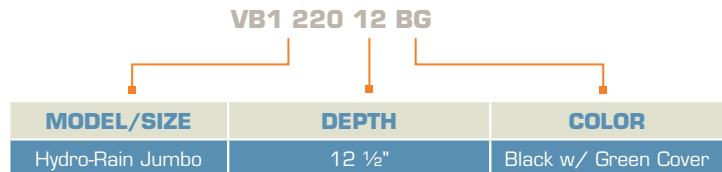
- **HDPE material**—Is slow molded to maintain maximum wall diameter strengthening the entire box and lid
- **"T" top lid**—Increases lid load capability protecting the enclosed valves from damage
- **UV Inhibitor additives**—With anti-oxidants protect the boxes from fading due to direct sun light
- **Resistant to moisture**—Keeps critical irrigation system components from the elements
- **Lock bolt ready**—Stainless steel tamper resistant bolt installed in the molding process on all models
- **Innovative latch**—Keeps the lid oriented and latched but readily accessible
- **Structural Foam Molded**—Provides increased strength through accurate material distribution during the molding process



### MODELS SKU DESCRIPTION

MODELS	SKU	DESCRIPTION
VB1-220-12-BG	03312	Jumbo ICV Box Black w/ Green Cover
VB1-220-12-GG	03313	Jumbo ICV Box Green w/ Green Cover
VB1-220-12-TT	03314	Jumbo ICV Box Tan w/ Tan Cover
VB1-220-6X-BG	03315	Jumbo ICV Box Extension Black w/ Green Cover
VB1-220-6X-GG	03316	Jumbo ICV Box Extension Green w/ Green Cover
VB1-220-6X-TT	03317	Jumbo ICV Box Extension Tan w/ Tan Cover

### HOW TO SPECIFY





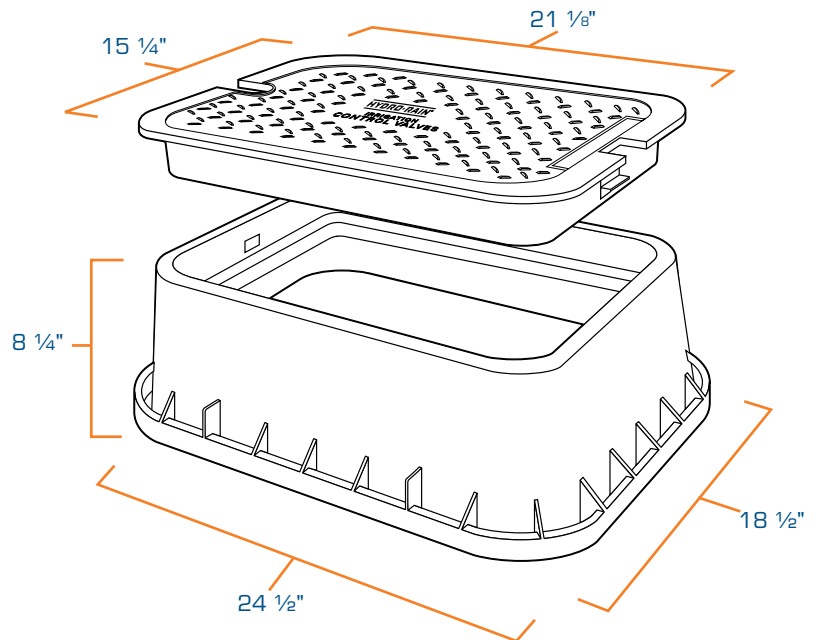
# VB 1220

## MATERIAL SPECIFICATIONS

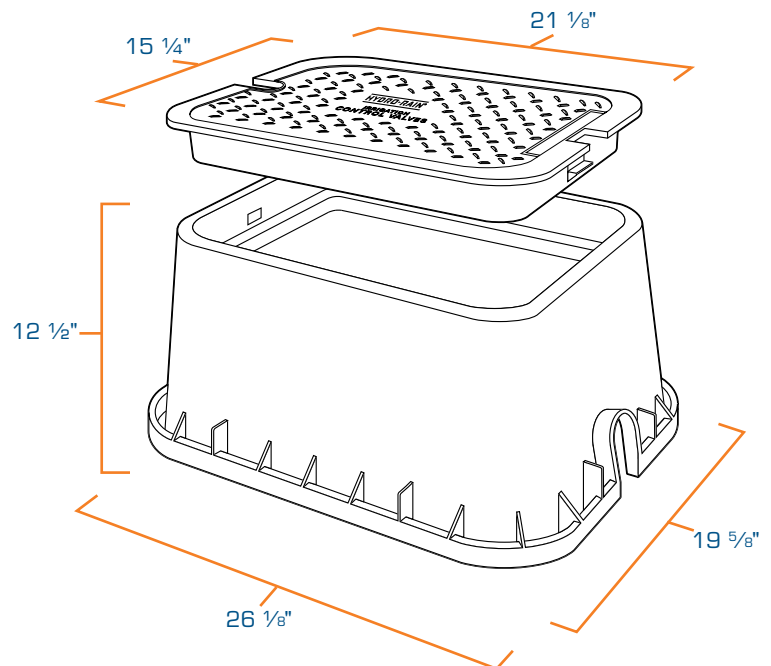
* PROPERTIES OF BASE MATERIAL	ASTM TEST METHOD	HDPE
Tensile Strength	D-638	2,700-4,400 psi (Typical Range)
Flexural Modulus	D-790	Min 140,000 not to exceed 240,000 psi
Notched Izod Impact Strength	D-256	0.5-3.0 (Typical Range)
Density	D-792	Min 0.95 not to exceed 0.965
Deflection Temp @ 66psi	D-648	150° to 200° F
Electrical Dielectric Strength	D-149	400-600 V/mil (Typical Range)
MOLDED PRODUCT	ASTM TEST METHOD	HDPE
Chemical Resistance	D-543	Very Resistant
Water Absorption	D-570	≤ 1% weight change
Static Vertical Load Rating	C-857	A-0.3, 300 lb. ft./ft <sup>2</sup>

\*Material specifications subject to change based on availability

## 1220 6X JUMBO VALVE BOX



## 1220 JUMBO VALVE BOX



## BOX STRENGTH - CRUSH TEST

VALVE BOX BODY LOAD	MAXIMUM LOAD LBS.	DEFLECTION INCHES
1220 Jumbo	35,888	0.390
1220 6x Jumbo	45,638	0.320

VALVE BOX LID LOAD	MAXIMUM LOAD LBS.	DEFLECTION INCHES
1220 Jumbo	8,900	1.700

SIDE LOAD	MAXIMUM LOAD LBS.	DEFLECTION INCHES
1220 Jumbo	650	3.580
1220 6x	1,088	3.080

Note: Enclosure is for use in non-vehicular traffic applications only. Installation in concrete or asphalt is not recommended. Weights and dimensions may vary slightly.

03313-36 Rev B

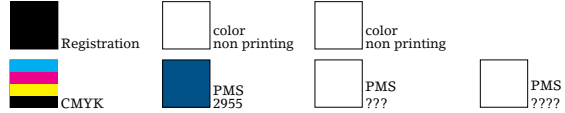


P 801 295 9820  
F 801 951 5815  
www.fluid-studio.net  
1065 South 500 West  
Bountiful, Utah 84010

**PROOF NO:** 4  
**DATE:** 01.26.09  
**DES:** MZ **SPCK:** MZ  
**JOB NO:** N/A  
**CLIENT:** Hydro-Rain  
**SKU:** 03313  
**UPC:** N/A  
**FILE NAME:** 03313-36 rB.indd  
**SOFTWARE:** InDesign CS3

**DIMENSIONS:**  
**FLAT:** W: 8.5" H: 11"  
**FINISHED:** W 8.5" D: 0" H 11"

**COLORS**



**ADDITIONAL INSTRUCTIONS:**

.  
.

Printers are responsible for meeting print production requirements. Any changes must be approved by the client and Fluid Studio. Printed piece **MUST MEET DESIGNATED SPECIFICATIONS ON THIS FORM.**